

# LM3404/04HV

## 1.0A Constant Current Buck Regulator for Driving High Power LEDs

### General Description

The LM3404/04HV are monolithic switching regulators designed to deliver constant currents to high power LEDs. Ideal for automotive, industrial, and general lighting applications, they contain a high-side N-channel MOSFET switch with a current limit of 1.5A (typical) for step-down (Buck) regulators. Hysteretic controlled on-time and an external resistor allow the converter output voltage to adjust as needed to deliver a constant current to series and series-parallel connected LED arrays of varying number and type. LED dimming via pulse width modulation (PWM), broken/open LED protection, low-power shutdown and thermal shutdown complete the feature set.

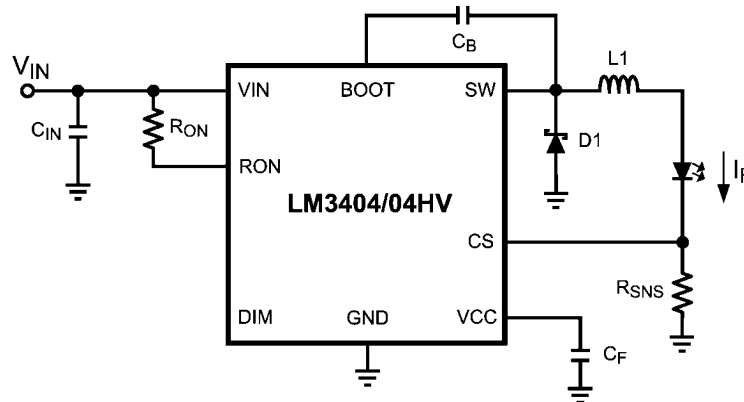
### Features

- Integrated 1.0A MOSFET
- $V_{IN}$  Range 6V to 42V (LM3404)
- $V_{IN}$  Range 6V to 75V (LM3404HV)
- 1.2A Output Current Over Temperature
- Cycle-by-Cycle Current Limit
- No Control Loop Compensation Required
- Separate PWM Dimming and Low Power Shutdown
- Supports all-ceramic output capacitors and capacitor-less outputs
- Thermal shutdown protection
- SO-8 Package, PSOP-8 Package

### Applications

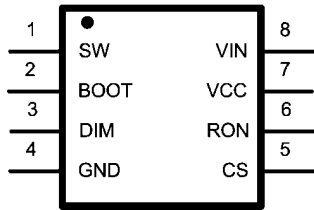
- LED Driver
- Constant Current Source
- Automotive Lighting
- General Illumination
- Industrial Lighting

### Typical Application

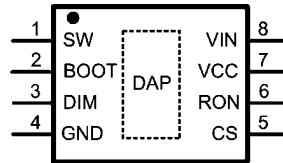


20205401

## Connection Diagrams



20205402  
8-Lead Plastic SO-8 Package  
NS Package Number M08A



20205456  
8-Lead Plastic PSOP-8 Package  
NS Package Number MRA08B

## Ordering Information

Order Number	Package Type	NSC Package Drawing	Supplied As
LM3404MA	SO-8	M08A	95 units in anti-static rails
LM3404MAX			2500 units on tape and reel
LM3404HVMA			95 units in anti-static rails
LM3404HVMAX			2500 units on tape and reel
LM3404MR	PSOP-8	MRA08B	95 units in anti-static rails
LM3404MRX			2500 units on tape and reel
LM3404HVMR			95 units in anti-static rails
LM3404HVMRX			2500 units on tape and reel

## Pin Descriptions

Pin(s)	Name	Description	Application Information
1	SW	Switch pin	Connect this pin to the output inductor and Schottky diode.
2	BOOT	MOSFET drive bootstrap pin	Connect a 10 nF ceramic capacitor from this pin to SW.
3	DIM	Input for PWM dimming	Connect a logic-level PWM signal to this pin to enable/disable the power MOSFET and reduce the average light output of the LED array.
4	GND	Ground pin	Connect this pin to system ground.
5	CS	Current sense feedback pin	Set the current through the LED array by connecting a resistor from this pin to ground.
6	RON	On-time control pin	A resistor connected from this pin to VIN sets the regulator controlled on-time.
7	VCC	Output of the internal 7V linear regulator	Bypass this pin to ground with a minimum 0.1 $\mu$ F ceramic capacitor with X5R or X7R dielectric.
8	VIN	Input voltage pin	Nominal operating input range for this pin is 6V to 42V (LM3404) or 6V to 75V (LM3404HV).
DAP	GND	Thermal Pad	Connect to ground. Place 4-6 vias from DAP to bottom layer ground plane.

## Absolute Maximum Ratings

**(LM3404)** (Note 1)

**If Military/Aerospace specified devices are required, please contact the National Semiconductor Sales Office/ Distributors for availability and specifications.**

VIN to GND	-0.3V to 45V
BOOT to GND	-0.3V to 59V
SW to GND	-1.5V to 45V
BOOT to VCC	-0.3V to 45V
BOOT to SW	-0.3V to 14V
VCC to GND	-0.3V to 14V
DIM to GND	-0.3V to 7V
CS to GND	-0.3V to 7V
RON to GND	-0.3V to 7V
Junction Temperature	150°C

Storage Temp. Range	-65°C to 125°C
ESD Rating (Note 2)	2kV
Soldering Information	
Lead Temperature (Soldering, 10sec)	260°C
Infrared/Convection Reflow (15sec)	235°C

## Operating Ratings (LM3404)

(Note 1)

V <sub>IN</sub>	6V to 42V
Junction Temperature Range	-40°C to +125°C
Thermal Resistance $\theta_{JA}$ (SO-8 Package)	155°C/W
Thermal Resistance $\theta_{JA}$ (PSOP-8 Package) (Note 5)	50°C/W

## Absolute Maximum Ratings

**(LM3404HV)** (Note 1)

If Military/Aerospace specified devices are required, please contact the National Semiconductor Sales Office/Distributors for availability and specifications.

VIN to GND	-0.3V to 76V
BOOT to GND	-0.3V to 90V
SW to GND	-1.5V to 76V
BOOT to VCC	-0.3V to 76V
BOOT to SW	-0.3V to 14V
VCC to GND	-0.3V to 14V
DIM to GND	-0.3V to 7V
CS to GND	-0.3V to 7V
RON to GND	-0.3V to 7V
Junction Temperature	150°C

Storage Temp. Range	-65°C to 125°C
ESD Rating (Note 2)	2kV
Soldering Information	
Lead Temperature (Soldering, 10sec)	260°C
Infrared/Convection Reflow (15sec)	235°C

## Operating Ratings (LM3404HV)

(Note 1)

$V_{IN}$	6V to 75V
Junction Temperature Range	-40°C to +125°C
Thermal Resistance $\theta_{JA}$ (SO-8 Package)	155°C/W
Thermal Resistance $\theta_{JA}$ (PSOP-8 Package) (Note 5)	50°C/W

**Electrical Characteristics**  $V_{IN} = 24V$  unless otherwise indicated. Typicals and limits appearing in plain type apply for  $T_A = T_J = +25^\circ C$ . (Note 4) Limits appearing in **boldface type** apply over full Operating Temperature Range. Datasheet min/max specification limits are guaranteed by design, test, or statistical analysis.

## LM3404

Symbol	Parameter	Conditions	Min	Typ	Max	Units
<b>SYSTEM PARAMETERS</b>						
$t_{ON-1}$	On-time 1	$V_{IN} = 10V, R_{ON} = 200\text{ k}\Omega$	<b>2.1</b>	2.75	<b>3.4</b>	$\mu s$
$t_{ON-2}$	On-time 2	$V_{IN} = 40V, R_{ON} = 200\text{ k}\Omega$	<b>515</b>	675	<b>835</b>	ns

## LM3404HV

Symbol	Parameter	Conditions	Min	Typ	Max	Units
<b>SYSTEM PARAMETERS</b>						
$t_{ON-1}$	On-time 1	$V_{IN} = 10V, R_{ON} = 200\text{ k}\Omega$	<b>2.1</b>	2.75	<b>3.4</b>	$\mu s$
$t_{ON-2}$	On-time 2	$V_{IN} = 70V, R_{ON} = 200\text{ k}\Omega$	<b>325</b>	415	<b>505</b>	ns

## LM3404/LM3404HV

Symbol	Parameter	Conditions	Min	Typ	Max	Units
<b>REGULATION AND OVER-VOLTAGE COMPARATORS</b>						
$V_{REF-REG}$	CS Regulation Threshold	CS Decreasing, SW turns on	<b>194</b>	200	<b>206</b>	mV
$V_{REF-0V}$	CS Over-voltage Threshold	CS Increasing, SW turns off		300		mV
$I_{CS}$	CS Bias Current	CS = 0V		0.1		$\mu A$
<b>SHUTDOWN</b>						
$V_{SD-TH}$	Shutdown Threshold	$R_{ON} / SD$ Increasing	<b>0.3</b>	0.7	<b>1.05</b>	V
$V_{SD-HYS}$	Shutdown Hysteresis	$R_{ON} / SD$ Decreasing		40		mV
<b>OFF TIMER</b>						
$t_{OFF-MIN}$	Minimum Off-time	CS = 0V		270		ns
<b>INTERNAL REGULATOR</b>						
$V_{CC-REG}$	$V_{CC}$ Regulated Output		<b>6.4</b>	7	<b>7.4</b>	V
$V_{IN-DO}$	$V_{IN} - V_{CC}$	$I_{CC} = 5\text{ mA}, 6.0V < V_{IN} < 8.0V$		300		mV
$V_{CC-BP-TH}$	$V_{CC}$ Bypass Threshold	$V_{IN}$ Increasing		8.8		V
$V_{CC-BP-HYS}$	$V_{CC}$ Bypass Hysteresis	$V_{IN}$ Decreasing		230		mV
$V_{CC-Z-6}$	$V_{CC}$ Output Impedance ( $0\text{ mA} < I_{CC} < 5\text{ mA}$ )	$V_{IN} = 6V$		55		$\Omega$
$V_{CC-Z-8}$		$V_{IN} = 8V$		50		
$V_{CC-Z-24}$		$V_{IN} = 24V$		0.4		
$V_{CC-LIM}$	$V_{CC}$ Current Limit (Note 3)	$V_{IN} = 24V, V_{CC} = 0V$		16		mA
$V_{CC-UV-TH}$	$V_{CC}$ Under-voltage Lock-out Threshold	$V_{CC}$ Increasing		5.3		V
$V_{CC-UV-HYS}$	$V_{CC}$ Under-voltage Lock-out Hysteresis	$V_{CC}$ Decreasing		150		mV
$V_{CC-UV-DLY}$	$V_{CC}$ Under-voltage Lock-out Filter Delay	100 mV Overdrive		3		$\mu s$
$I_{IN-OP}$	$I_{IN}$ Operating Current	Non-switching, CS = 0.5V		625	<b>900</b>	$\mu A$
$I_{IN-SD}$	$I_{IN}$ Shutdown Current	$R_{ON} / SD = 0V$		95	<b>180</b>	$\mu A$
<b>CURRENT LIMIT</b>						
$I_{LIM}$	Current Limit Threshold		<b>1.2</b>	1.5	<b>1.8</b>	A

Symbol	Parameter	Conditions	Min	Typ	Max	Units
<b>DIM COMPARATOR</b>						
V <sub>IH</sub>	Logic High	DIM Increasing	2.2			V
V <sub>IL</sub>	Logic Low	DIM Decreasing			0.8	V
I <sub>DIM-PU</sub>	DIM Pull-up Current	DIM = 1.5V		80		μA
<b>MOSFET AND DRIVER</b>						
R <sub>DS-ON</sub>	Buck Switch On Resistance	I <sub>SW</sub> = 200mA, BST-SW = 6.3V		0.37	0.75	Ω
V <sub>DR-UVLO</sub>	BST Under-voltage Lock-out Threshold	BST-SW Increasing	1.7	3	4	V
V <sub>DR-HYS</sub>	BST Under-voltage Lock-out Hysteresis	BST-SW Decreasing		400		mV
<b>THERMAL SHUTDOWN</b>						
T <sub>SD</sub>	Thermal Shutdown Threshold			165		°C
T <sub>SD-HYS</sub>	Thermal Shutdown Hysteresis			25		°C
<b>THERMAL RESISTANCE</b>						
θ <sub>JA</sub>	Junction to Ambient	SOIC-8 Package		155		°C/W
		PSOP-8 Package (Note 5)		50		

**Note 1:** Absolute Maximum Ratings indicate limits beyond which damage to the device may occur. Operating Ratings indicate conditions for which the device is intended to be functional, but specific performance is not guaranteed. For guaranteed specifications and the test conditions, see Electrical Characteristics.

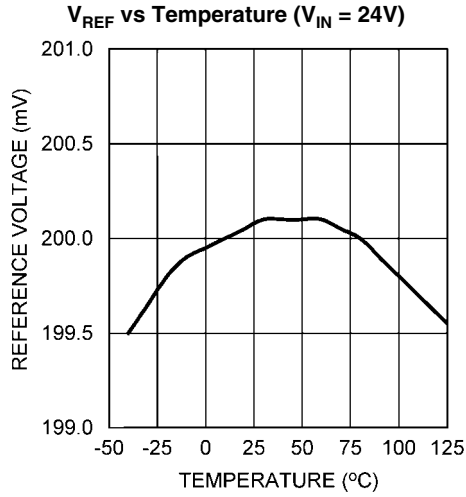
**Note 2:** The human body model is a 100 pF capacitor discharged through a 1.5 kΩ resistor into each pin.

**Note 3:** VCC provides self bias for the internal gate drive and control circuits. Device thermal limitations limit external loading.

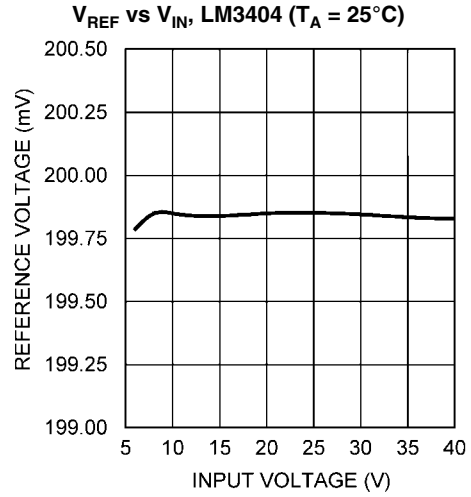
**Note 4:** Typical specifications represent the most likely parametric norm at 25°C operation.

**Note 5:** θ<sub>JA</sub> of 50°C/W with DAP soldered to a minimum of 2 square inches of 1oz. copper on the top or bottom PCB layer.

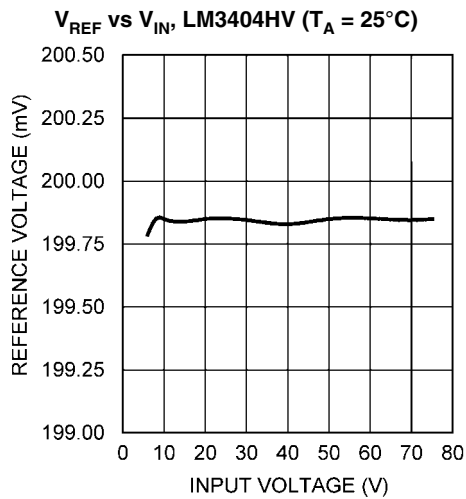
# Typical Performance Characteristics



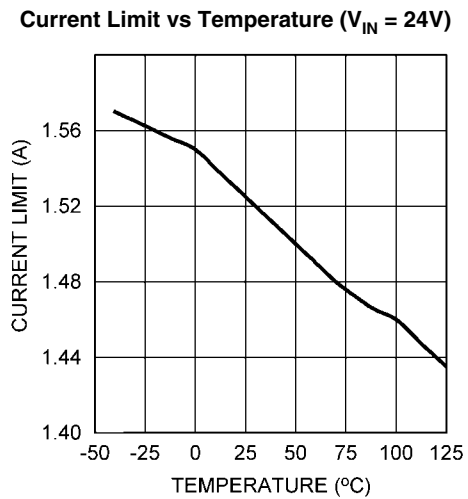
20205450



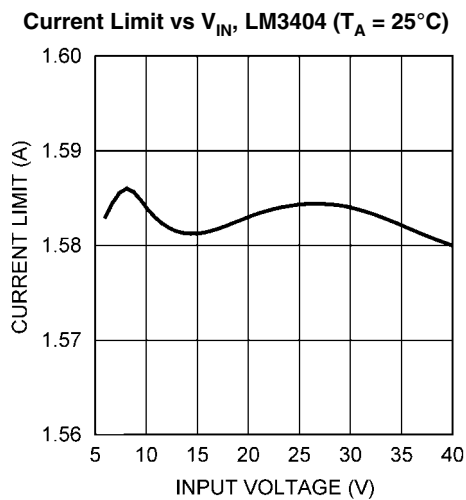
20205451



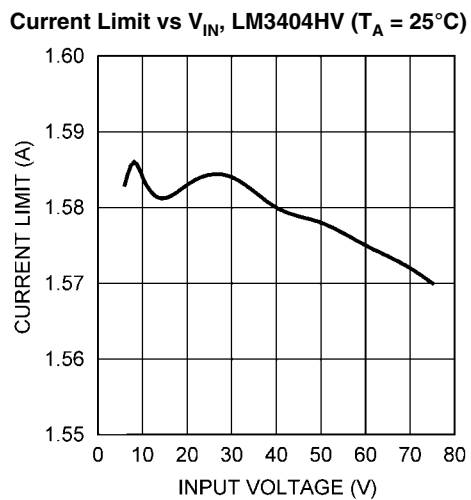
20205452



20205453

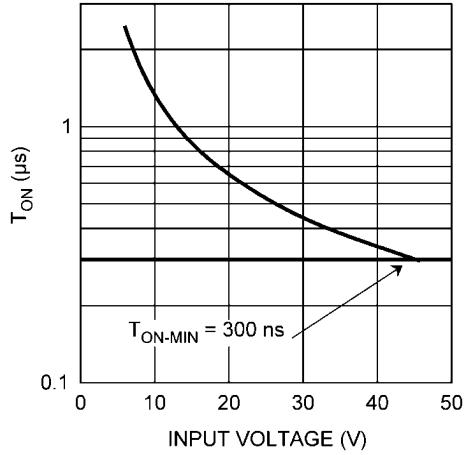


20205454



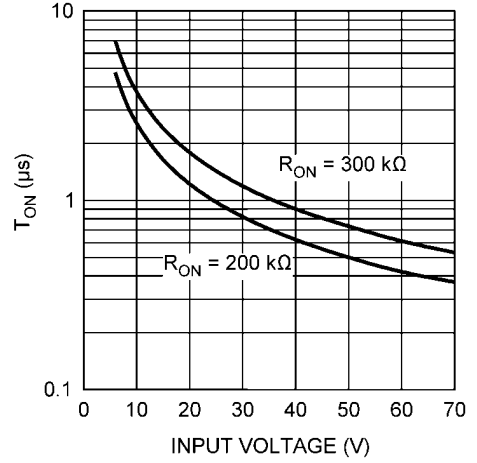
20205455

**$T_{ON}$  vs  $V_{IN}$ ,  
 $R_{ON} = 100\text{ k}\Omega$  ( $T_A = 25^\circ\text{C}$ )**



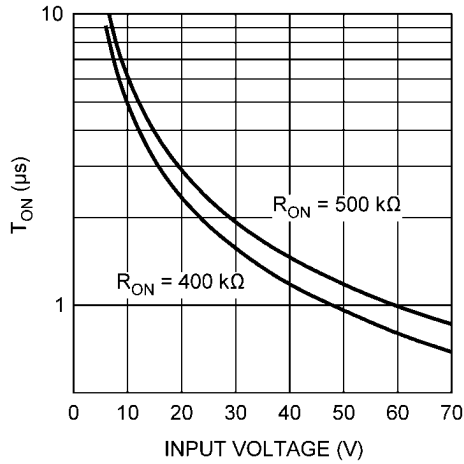
20205435

**$T_{ON}$  vs  $V_{IN}$ ,  
( $T_A = 25^\circ\text{C}$ )**



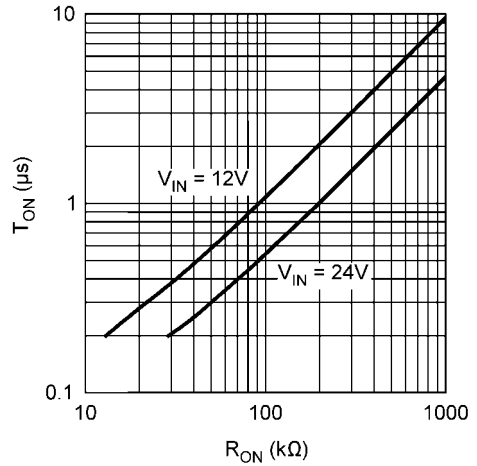
20205436

**$T_{ON}$  vs  $V_{IN}$ ,  
( $T_A = 25^\circ\text{C}$ )**



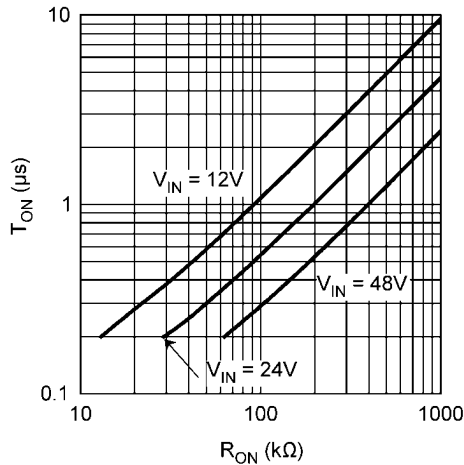
20205437

**$T_{ON}$  vs  $R_{ON}$ , LM3404  
( $T_A = 25^\circ\text{C}$ )**



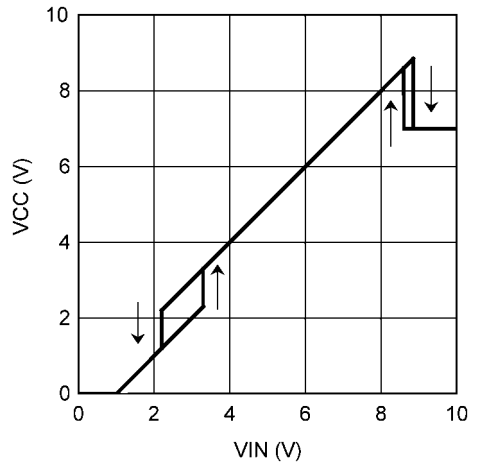
20205444

**$T_{ON}$  vs  $R_{ON}$ , LM3404HV  
( $T_A = 25^\circ\text{C}$ )**



20205438

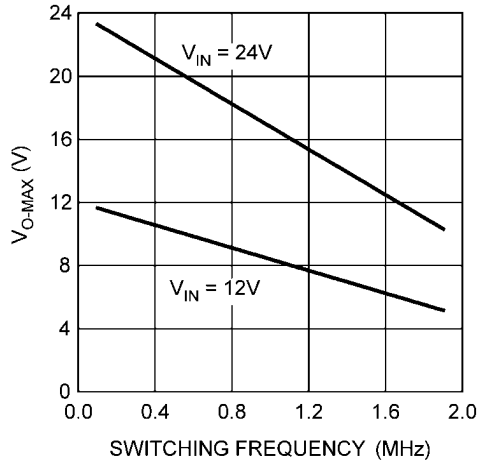
**$V_{CC}$  vs  $V_{IN}$ ,  
( $T_A = 25^\circ\text{C}$ )**



20205439

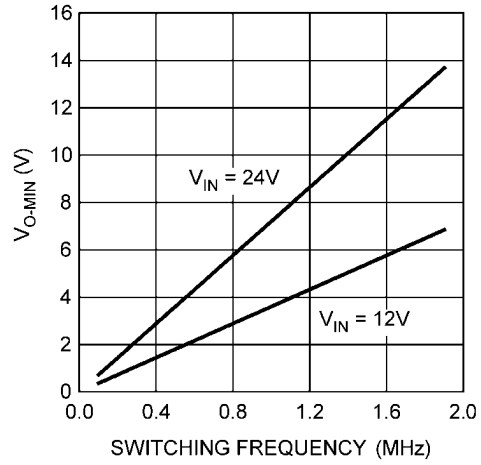


**$V_{O-MAX}$  vs  $f_{SW}$ , LM3404**  
( $T_A = 25^\circ\text{C}$ )



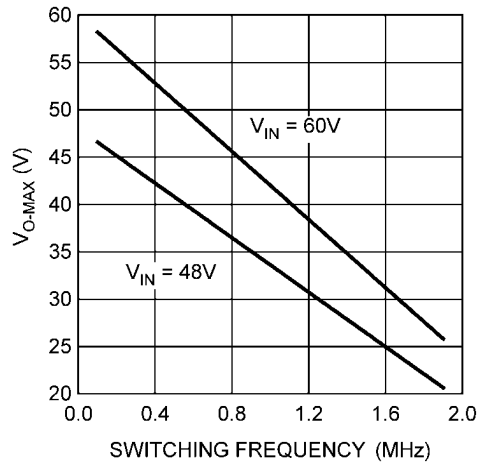
20205440

**$V_{O-MIN}$  vs  $f_{SW}$ , LM3404**  
( $T_A = 25^\circ\text{C}$ )



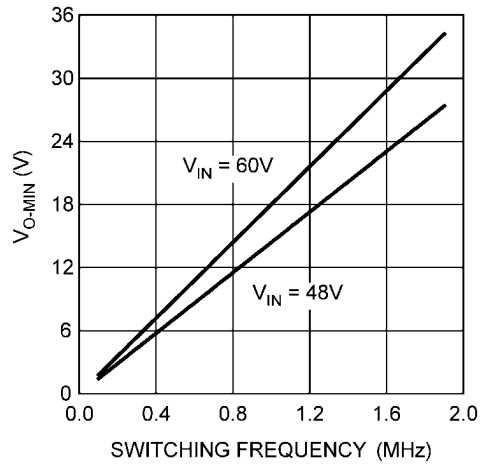
20205441

**$V_{O-MAX}$  vs  $f_{SW}$ , LM3404HV**  
( $T_A = 25^\circ\text{C}$ )



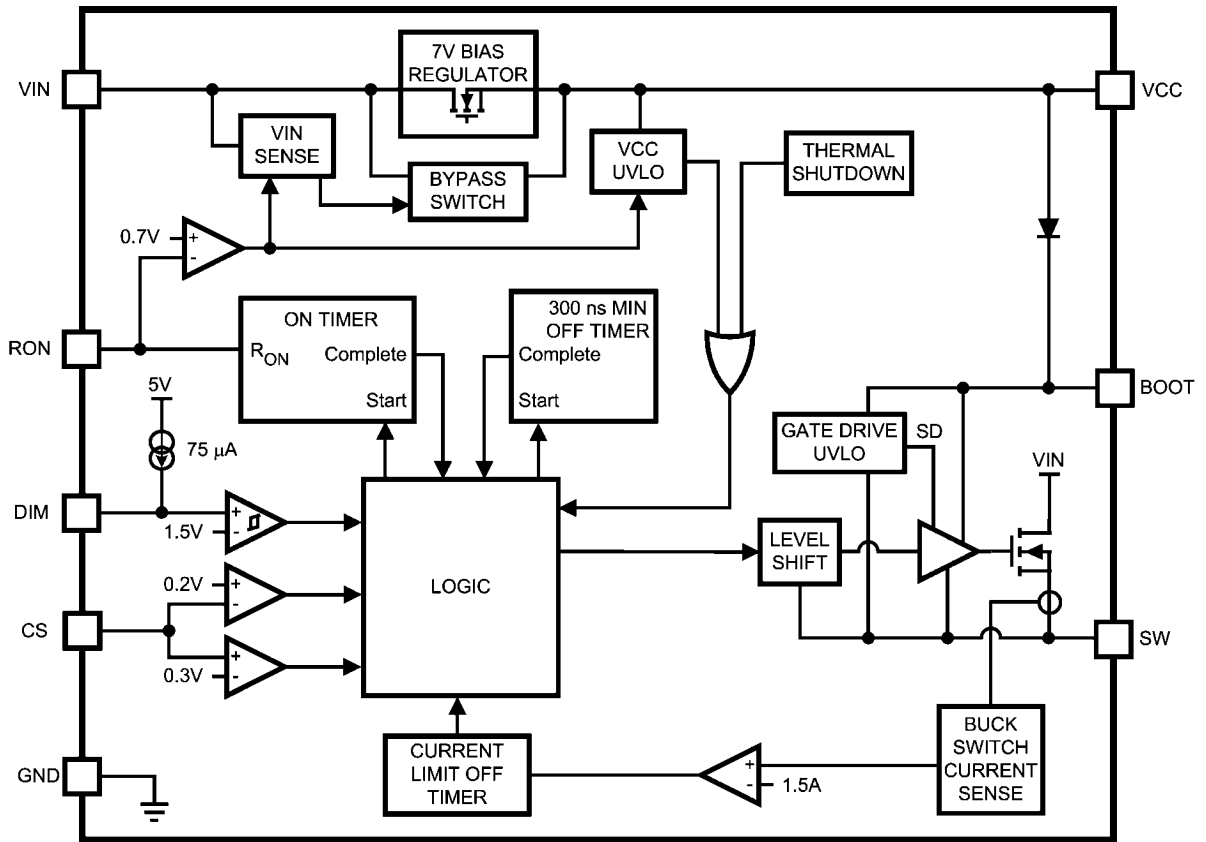
20205442

**$V_{O-MIN}$  vs  $f_{SW}$ , LM3404HV**  
( $T_A = 25^\circ\text{C}$ )



20205443

## Block Diagram



20205403

## Application Information

### THEORY OF OPERATION

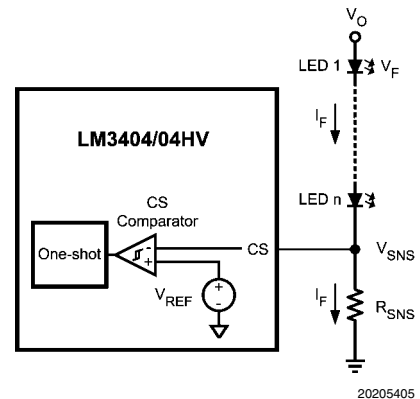
The LM3404 and LM3404HV are buck regulators with a wide input voltage range, low voltage reference, and a fast output enable/disable function. These features combine to make them ideal for use as a constant current source for LEDs with forward currents as high as 1.2A. The controlled on-time (COT) architecture is a combination of hysteretic mode control and a one-shot on-timer that varies inversely with input voltage. Hysteretic operation eliminates the need for small-signal control loop compensation. When the converter runs in continuous conduction mode (CCM) the controlled on-time maintains a constant switching frequency over the range of input voltage. Fast transient response, PWM dimming, a low power shutdown mode, and simple output overvoltage protection round out the functions of the LM3404/04HV.

### CONTROLLED ON-TIME OVERVIEW

Figure 1 shows the feedback system used to control the current through an array of LEDs. A voltage signal,  $V_{SNS}$ , is created as the LED current flows through the current setting resistor,  $R_{SNS}$ , to ground.  $V_{SNS}$  is fed back to the CS pin, where it is compared against a 200 mV reference,  $V_{REF}$ . The on-comparator turns on the power MOSFET when  $V_{SNS}$  falls below  $V_{REF}$ . The power MOSFET conducts for a controlled on-time,  $t_{ON}$ , set by an external resistor,  $R_{ON}$ , and by the input voltage,  $V_{IN}$ . On-time is governed by the following equation:

$$t_{ON} = 1.34 \times 10^{-10} \times \frac{R_{ON}}{V_{IN}}$$

At the conclusion of  $t_{ON}$  the power MOSFET turns off for a minimum off-time,  $t_{OFF-MIN}$ , of 300 ns. Once  $t_{OFF-MIN}$  is complete the CS comparator compares  $V_{SNS}$  and  $V_{REF}$  again, waiting to begin the next cycle.



20205405

FIGURE 1. Comparator and One-Shot

The LM3404/04HV regulators should be operated in continuous conduction mode (CCM), where inductor current stays positive throughout the switching cycle. During steady-state

CCM operation, the converter maintains a constant switching frequency that can be selected using the following equation:

$$f_{SW} = \frac{V_O}{1.34 \times 10^{-10} \times R_{ON}}$$

$$V_O = n \times V_F + 200 \text{ mV}$$

$V_F$  = forward voltage of each LED,  $n$  = number of LEDs in series

#### AVERAGE LED CURRENT ACCURACY

The COT architecture regulates the valley of  $\Delta V_{SNS}$ , the AC portion of  $V_{SNS}$ . To determine the average LED current (which is also the average inductor current) the valley inductor current is calculated using the following expression:

$$I_{L-MIN} = \frac{0.2}{R_{SNS}} - \frac{V_O \times t_{SNS}}{L}$$

In this equation  $t_{SNS}$  represents the propagation delay of the CS comparator, and is approximately 220 ns. The average inductor/LED current is equal to  $I_{L-MIN}$  plus one-half of the inductor current ripple,  $\Delta I_L$ :

$$I_F = I_L = I_{L-MIN} + \Delta I_L / 2$$

Detailed information for the calculation of  $\Delta I_L$  is given in the Design Considerations section.

#### MAXIMUM OUTPUT VOLTAGE

The 300 ns minimum off-time limits the maximum duty cycle of the converter,  $D_{MAX}$ , and in turn the maximum output voltage,  $V_{O(MAX)}$ , determined by the following equations:

$$D_{MAX} = \frac{t_{ON}}{t_{ON} + t_{OFF-MIN}}$$

$$V_{O(max)} = D_{MAX} \times V_{IN}$$

The maximum number of LEDs,  $n_{MAX}$ , that can be placed in a single series string is governed by  $V_{O(MAX)}$  and the maximum forward voltage of the LEDs used,  $V_{F(MAX)}$ , using the expression:

$$n_{MAX} = \frac{V_{O(max)} - 200 \text{ mV}}{V_{F(MAX)}}$$

At low switching frequency the maximum duty cycle and output voltage are higher, allowing the LM3404/04HV to regulate output voltages that are nearly equal to input voltage. The following equation relates switching frequency to maximum output voltage, and is also shown graphically in the Typical Performance Characteristics section:

$$V_{O(MAX)} = V_{IN} \times \frac{T_{SW} - 300 \text{ ns}}{T_{SW}}$$

$$T_{SW} = 1/f_{SW}$$

#### MINIMUM OUTPUT VOLTAGE

The minimum recommended on-time for the LM3404/04HV is 300 ns. This lower limit for  $t_{ON}$  determines the minimum duty cycle and output voltage that can be regulated based on input voltage and switching frequency. The relationship is determined by the following equation, shown on the same graphs as maximum output voltage in the Typical Performance Characteristics section:

$$V_{O(MIN)} = V_{IN} \times \frac{300 \text{ ns}}{T_{SW}}$$

#### HIGH VOLTAGE BIAS REGULATOR

The LM3404/04HV contains an internal linear regulator with a 7V output, connected between the VIN and the VCC pins. The VCC pin should be bypassed to the GND pin with a 0.1  $\mu$ F ceramic capacitor connected as close as possible to the pins of the IC. VCC tracks VIN until VIN reaches 8.8V (typical) and then regulates at 7V as VIN increases. Operation begins when VCC crosses 5.25V.

#### INTERNAL MOSFET AND DRIVER

The LM3404/04HV features an internal power MOSFET as well as a floating driver connected from the SW pin to the BOOT pin. Both rise time and fall time are 20 ns each (typical) and the approximate gate charge is 6 nC. The high-side rail for the driver circuitry uses a bootstrap circuit consisting of an internal high-voltage diode and an external 10 nF capacitor,  $C_B$ .  $V_{CC}$  charges  $C_B$  through the internal diode while the power MOSFET is off. When the MOSFET turns on, the internal diode reverse biases. This creates a floating supply equal to the  $V_{CC}$  voltage minus the diode drop to drive the MOSFET when its source voltage is equal to  $V_{IN}$ .

#### FAST SHUTDOWN FOR PWM DIMMING

The DIM pin of the LM3404/04HV is a TTL compatible input for low frequency PWM dimming of the LED. A logic low (below 0.8V) at DIM will disable the internal MOSFET and shut off the current flow to the LED array. While the DIM pin is in a logic low state the support circuitry (driver, bandgap, VCC) remains active in order to minimize the time needed to turn the LED array back on when the DIM pin sees a logic high (above 2.2V). A 75  $\mu$ A (typical) pull-up current ensures that the LM3404/04HV is on when DIM pin is open circuited, eliminating the need for a pull-up resistor. Dimming frequency,  $f_{DIM}$ , and duty cycle,  $D_{DIM}$ , are limited by the LED current rise time and fall time and the delay from activation of the DIM pin to the response of the internal power MOSFET. In general,  $f_{DIM}$  should be at least one order of magnitude lower than the steady state switching frequency in order to prevent aliasing.

#### PEAK CURRENT LIMIT

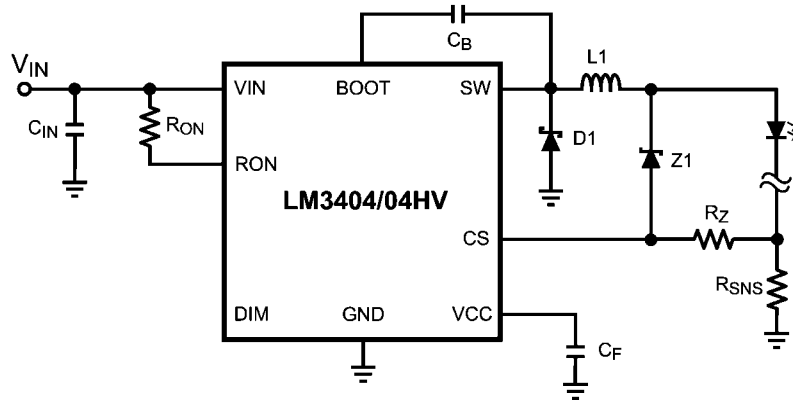
The current limit comparator of the LM3404/04HV will engage whenever the power MOSFET current (equal to the inductor current while the MOSFET is on) exceeds 1.5A (typical). The power MOSFET is disabled for a cool-down time that is approximately 75x the steady-state on-time. At the conclusion of this cool-down time the system re-starts. If the current limit condition persists the cycle of cool-down time and restarting will continue, creating a low-power hiccup mode, minimizing thermal stress on the LM3404/04HV and the external circuit components.

#### OVER-VOLTAGE/OVER-CURRENT COMPARATOR

The CS pin includes an output over-voltage/over-current comparator that will disable the power MOSFET whenever

$V_{SNS}$  exceeds 300 mV. This threshold provides a hard limit for the output current. Output current overshoot is limited to  $300 \text{ mV} / R_{SNS}$  by this comparator during transients. The OVP/OCF comparator can also be used to prevent the output voltage from rising to  $V_{O(MAX)}$  in the event of an output open-circuit. This is the most common failure mode for LEDs, due to breaking of the bond wires. In a current regulator an output open circuit causes  $V_{SNS}$  to fall to zero, commanding maximum duty cycle. Figure 2 shows a method using a zener diode, Z1, and zener limiting resistor,  $R_Z$ , to limit output voltage to the reverse breakdown voltage of Z1 plus 200 mV. The zener diode reverse breakdown voltage,  $V_Z$ , must be greater than the maximum combined  $V_F$  of all LEDs in the array. The maximum recommended value for  $R_Z$  is 1 k $\Omega$ .

As discussed in the Maximum Output Voltage section, there is a limit to how high  $V_O$  can rise during an output open-circuit that is always less than  $V_{IN}$ . If no output capacitor is used, the output stage of the LM3404/04HV is capable of withstanding  $V_{O(MAX)}$  indefinitely, however the voltage at the output end of the inductor will oscillate and can go above  $V_{IN}$  or below 0V. A small (typically 10 nF) capacitor across the LED array dampens this oscillation. For circuits that use an output capacitor, the system can still withstand  $V_{O(MAX)}$  indefinitely as long as  $C_O$  is rated to handle  $V_{IN}$ . The high current paths are blocked in output open-circuit and the risk of thermal stress is minimal, hence the user may opt to allow the output voltage to rise in the case of an open-circuit LED failure.



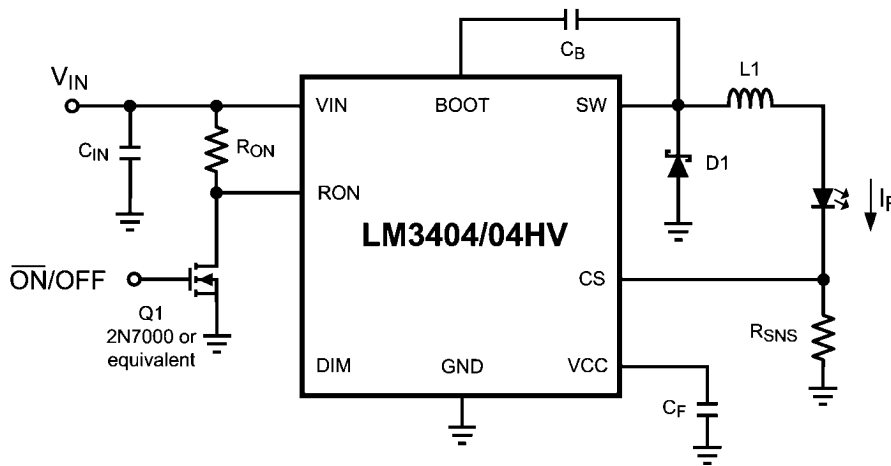
20205412

FIGURE 2. Output Open Circuit Protection

**LOW POWER SHUTDOWN**

The LM3404/04HV can be placed into a low power state ( $I_{IN,SD} = 90 \mu\text{A}$ ) by grounding the RON pin with a signal-level MOSFET as shown in Figure 3. Low power MOSFETs like the 2N7000, 2N3904, or equivalent are recommended devices for putting the LM3404/04HV into low power shutdown. Logic gates can also be used to shut down the LM3404/04HV as

long as the logic low voltage is below the over temperature minimum threshold of 0.3V. Noise filter circuitry on the RON pin can cause a few pulses with longer on-times than normal after RON is grounded or released. In these cases the OVP/OCF comparator will ensure that the peak inductor or LED current does not exceed  $300 \text{ mV} / R_{SNS}$ .



20205413

FIGURE 3. Low Power Shutdown

## THERMAL SHUTDOWN

Internal thermal shutdown circuitry is provided to protect the IC in the event that the maximum junction temperature is exceeded. The threshold for thermal shutdown is 165°C with a 25°C hysteresis (both values typical). During thermal shutdown the MOSFET and driver are disabled.

## Design Considerations

### SWITCHING FREQUENCY

Switching frequency is selected based on the trade-offs between efficiency (better at low frequency), solution size/cost (smaller at high frequency), and the range of output voltage that can be regulated (wider at lower frequency.) Many applications place limits on switching frequency due to EMI sensitivity. The on-time of the LM3404/04HV can be programmed for switching frequencies ranging from the 10's of kHz to over 1 MHz. The maximum switching frequency is limited only by the minimum on-time and minimum off-time requirements.

### LED RIPPLE CURRENT

Selection of the ripple current,  $\Delta i_F$ , through the LED array is analogous to the selection of output ripple voltage in a standard voltage regulator. Where the output ripple in a voltage regulator is commonly  $\pm 1\%$  to  $\pm 5\%$  of the DC output voltage, LED manufacturers generally recommend values for  $\Delta i_F$  ranging from  $\pm 5\%$  to  $\pm 20\%$  of  $I_F$ . Higher LED ripple current allows the use of smaller inductors, smaller output capacitors, or no output capacitors at all. The advantages of higher ripple current are reduction in the solution size and cost. Lower ripple current requires more output inductance, higher switching frequency, or additional output capacitance. The advantages of lower ripple current are a reduction in heating in the LED itself and greater tolerance in the average LED current before the current limit of the LED or the driving circuitry is reached.

### BUCK CONVERTERS WITHOUT OUTPUT CAPACITORS

The buck converter is unique among non-isolated topologies because of the direct connection of the inductor to the load during the entire switching cycle. By definition an inductor will control the rate of change of current that flows through it, and this control over current ripple forms the basis for component selection in both voltage regulators and current regulators. A current regulator such as the LED driver for which the LM3404/04HV was designed focuses on the control of the current through the load, not the voltage across it. A constant current regulator is free of load current transients, and has no need of output capacitance to supply the load and maintain output voltage. Referring to the Typical Application circuit on the front page of this datasheet, the inductor and LED can form a single series chain, sharing the same current. When no output capacitor is used, the same equations that govern inductor ripple current,  $\Delta i_L$ , also apply to the LED ripple current,  $\Delta i_F$ . For a controlled on-time converter such as LM3404/04HV the ripple current is described by the following expression:

$$\Delta i_L = \Delta i_F = \frac{V_{IN} - V_O}{L} t_{ON}$$

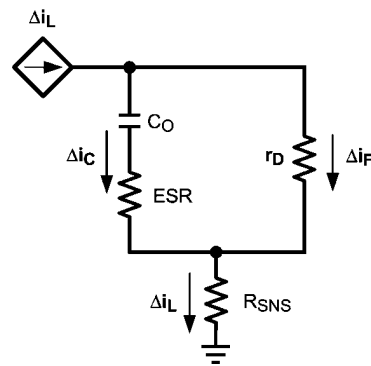
A minimum ripple voltage of 25 mV is recommended at the CS pin to provide good signal to noise ratio (SNR). The CS pin ripple voltage,  $\Delta v_{SNS}$ , is described by the following:

$$\Delta v_{SNS} = \Delta i_F \times R_{SNS}$$

### BUCK CONVERTERS WITH OUTPUT CAPACITORS

A capacitor placed in parallel with the LED or array of LEDs can be used to reduce the LED current ripple while keeping the same average current through both the inductor and the LED array. This technique is demonstrated in Design Examples 1 and 2. With this topology the output inductance can be lowered, making the magnetics smaller and less expensive. Alternatively, the circuit could be run at lower frequency but keep the same inductor value, improving the efficiency and expanding the range of output voltage that can be regulated. Both the peak current limit and the OVP/OCP comparator still monitor peak inductor current, placing a limit on how large  $\Delta i_L$  can be even if  $\Delta i_F$  is made very small. A parallel output capacitor is also useful in applications where the inductor or input voltage tolerance is poor. Adding a capacitor that reduces  $\Delta i_F$  to well below the target provides headroom for changes in inductance or  $V_{IN}$  that might otherwise push the peak LED ripple current too high.

Figure 4 shows the equivalent impedances presented to the inductor current ripple when an output capacitor,  $C_O$ , and its equivalent series resistance (ESR) are placed in parallel with the LED array. The entire inductor ripple current flows through  $R_{SNS}$  to provide the required 25 mV of ripple voltage for proper operation of the CS comparator.



20205415

FIGURE 4. LED and  $C_O$  Ripple Current

To calculate the respective ripple currents the LED array is represented as a dynamic resistance,  $r_D$ . LED dynamic resistance is not always specified on the manufacturer's datasheet, but it can be calculated as the inverse slope of the LED's  $V_F$  vs.  $I_F$  curve. Note that dividing  $V_F$  by  $I_F$  will give an incorrect value that is 5x to 10x too high. Total dynamic resistance for a string of  $n$  LEDs connected in series can be calculated as the  $r_D$  of one device multiplied by  $n$ . Inductor ripple current is still calculated with the expression from Buck Regulators without Output Capacitors. The following equations can then be used to estimate  $\Delta i_F$  when using a parallel capacitor:

$$\Delta i_F = \frac{\Delta i_L}{1 + \frac{r_D}{Z_C}}$$

$$Z_C = ESR + \frac{1}{2\pi \times f_{SW} \times C_O}$$

The calculation for  $Z_C$  assumes that the shape of the inductor ripple current is approximately sinusoidal.

Small values of  $C_O$  that do not significantly reduce  $\Delta i_F$  can also be used to control EMI generated by the switching action of the LM3404/04HV. EMI reduction becomes more important as the length of the connections between the LED and the rest of the circuit increase.

### INPUT CAPACITORS

Input capacitors at the VIN pin of the LM3404/04HV are selected using requirements for minimum capacitance and rms ripple current. The input capacitors supply pulses of current approximately equal to  $I_F$  while the power MOSFET is on, and are charged up by the input voltage while the power MOSFET is off. Switching converters such as the LM3404/04HV have a negative input impedance due to the decrease in input current as input voltage increases. This inverse proportionality of input current to input voltage can cause oscillations (sometimes called 'power supply interaction') if the magnitude of the negative input impedance is greater than the input filter impedance. Minimum capacitance can be selected by comparing the input impedance to the converter's negative resistance; however this requires accurate calculation of the input voltage source inductance and resistance, quantities which can be difficult to determine. An alternative method to select the minimum input capacitance,  $C_{IN(MIN)}$ , is to select the maximum input voltage ripple which can be tolerated. This value,  $\Delta V_{IN(MAX)}$ , is equal to the change in voltage across  $C_{IN}$  during the converter on-time, when  $C_{IN}$  supplies the load current.  $C_{IN(MIN)}$  can be selected with the following:

$$C_{IN(MIN)} = \frac{I_F \times t_{ON}}{\Delta V_{IN(MAX)}}$$

A good starting point for selection of  $C_{IN}$  is to use an input voltage ripple of 5% to 10% of  $V_{IN}$ . A minimum input capacitance of 2x the  $C_{IN(MIN)}$  value is recommended for all LM3404/04HV circuits. To determine the rms current rating, the following formula can be used:

$$I_{IN(rms)} = I_F \times \sqrt{D(1 - D)}$$

Ceramic capacitors are the best choice for the input to the LM3404/04HV due to their high ripple current rating, low ESR, low cost, and small size compared to other types. When selecting a ceramic capacitor, special attention must be paid to the operating conditions of the application. Ceramic capacitors can lose one-half or more of their capacitance at their rated DC voltage bias and also lose capacitance with extremes in temperature. A DC voltage rating equal to twice the expected maximum input voltage is recommended. In addition, the minimum quality dielectric which is suitable for switching power supply inputs is X5R, while X7R or better is preferred.

### RECIRCULATING DIODE

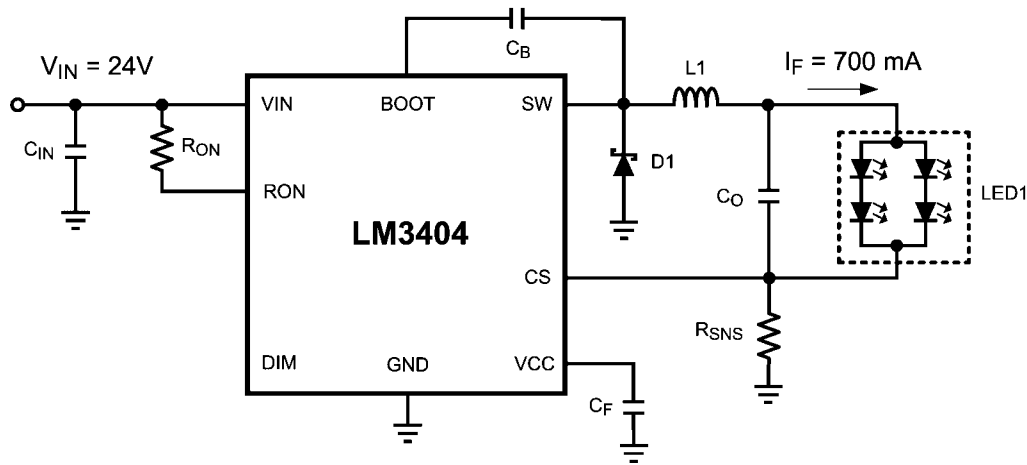
The LM3404/04HV is a non-synchronous buck regulator that requires a recirculating diode D1 (see the Typical Application circuit) to carry the inductor current during the MOSFET off-time. The most efficient choice for D1 is a Schottky diode due to low forward drop and near-zero reverse recovery time. D1 must be rated to handle the maximum input voltage plus any switching node ringing when the MOSFET is on. In practice all switching converters have some ringing at the switching node due to the diode parasitic capacitance and the lead inductance. D1 must also be rated to handle the average current,  $I_D$ , calculated as:

$$I_D = (1 - D) \times I_F$$

This calculation should be done at the maximum expected input voltage. The overall converter efficiency becomes more dependent on the selection of D1 at low duty cycles, where the recirculating diode carries the load current for an increasing percentage of the time. This power dissipation can be calculated by checking the typical diode forward voltage,  $V_D$ , from the I-V curve on the product datasheet and then multiplying it by  $I_D$ . Diode datasheets will also provide a typical junction-to-ambient thermal resistance,  $\theta_{JA}$ , which can be used to estimate the operating die temperature of the device. Multiplying the power dissipation ( $P_D = I_D \times V_D$ ) by  $\theta_{JA}$  gives the temperature rise. The diode case size can then be selected to maintain the Schottky diode temperature below the operational maximum.

### Design Example 1: LM3404

The first example circuit will guide the user through component selection for an architectural accent lighting application. A regulated DC voltage input of  $24V \pm 10\%$  will power a 5.4W "warm white" LED module that consists of four LEDs in a 2 x 2 series-parallel configuration. The module will be treated as a two-terminal element and driven with a forward current of 700 mA  $\pm 5\%$ . The typical forward voltage of the LED module in thermal steady state is 6.9V, hence the average output voltage will be 7.1V. The objective of this application is to place the complete current regulator and LED module in a compact space formerly occupied by a halogen light source. (The LED will be on a separate metal-core PCB and heatsink.) Switching frequency will be 400 kHz to keep switching loss low, as the confined space with no air-flow requires a maximum temperature rise of 50°C in each circuit component. A small solution size is also important, as the regulator must fit on a circular PCB with a 1.5" diameter. A complete bill of materials can be found in *Table 1* at the end of this datasheet.



20205419

FIGURE 5. Schematic for Design Example 1

**R<sub>ON</sub> and t<sub>ON</sub>**

A moderate switching frequency is needed in this application to balance the requirements of magnetics size and efficiency. R<sub>ON</sub> is selected from the equation for switching frequency as follows:

$$R_{ON} = \frac{V_O}{1.34 \times 10^{-10} \times f_{SW}}$$

$$R_{ON} = 7.1 / (1.34 \times 10^{-10} \times 4 \times 10^5) = 132.5 \text{ k}\Omega$$

The closest 1% tolerance resistor is 133 kΩ. The switching frequency and on-time of the circuit can then be found using the equations relating R<sub>ON</sub> and t<sub>ON</sub> to f<sub>SW</sub>:

$$f_{SW} = 7.1 / (1.33 \times 10^5 \times 1.34 \times 10^{-10}) = 398 \text{ kHz}$$

$$t_{ON} = (1.34 \times 10^{-10} \times 1.33 \times 10^5) / 24 = 743 \text{ ns}$$

**OUTPUT INDUCTOR**

Since an output capacitor will be used to filter some of the AC ripple current, the inductor ripple current can be set higher than the LED ripple current. A value of 40%<sub>P-P</sub> is typical in many buck converters:

$$\Delta i_L = 0.4 \times 0.7 = 0.28 \text{ A}$$

With the target ripple current determined the inductance can be chosen:

$$L_{MIN} = \frac{V_{IN} - V_O}{\Delta i_L} \times t_{ON}$$

$$L_{MIN} = [(24 - 7.1) \times 7.43 \times 10^{-7}] / (0.28) = 44.8 \text{ }\mu\text{H}$$

The closest standard inductor value is 47 μH. The average current rating should be greater than 700 mA to prevent overheating in the inductor. Separation between the LM3404 drivers and the LED arrays means that heat from the inductor will not threaten the lifetime of the LEDs, but an overheated inductor could still cause the LM3404 to enter thermal shut-down.

The inductance of the standard part chosen is ±20%. With this tolerance the typical, minimum, and maximum inductor current ripples can be calculated:

$$\Delta i_{L(TYP)} = [(24 - 7.1) \times 7.43 \times 10^{-7}] / 47 \times 10^{-6} = 266 \text{ mA}_{P-P}$$

$$\Delta i_{L(MIN)} = [(24 - 7.1) \times 7.43 \times 10^{-7}] / 56 \times 10^{-6} = 223 \text{ mA}_{P-P}$$

$$\Delta i_{L(MAX)} = [(24 - 7.1) \times 7.43 \times 10^{-7}] / 38 \times 10^{-6} = 330 \text{ mA}_{P-P}$$

The peak LED/inductor current is then estimated:

$$I_{L(PEAK)} = I_L + 0.5 \times \Delta i_{L(MAX)}$$

$$I_{L(PEAK)} = 0.7 + 0.5 \times 0.330 = 866 \text{ mA}$$

In the case of a short circuit across the LED array, the LM3404 will continue to deliver rated current through the short but will reduce the output voltage to equal the CS pin voltage of 200 mV. The inductor ripple current and peak current in this condition would be equal to:

$$\Delta i_{L(LED-SHORT)} = [(24 - 0.2) \times 7.43 \times 10^{-7}] / 38 \times 10^{-6} = 465 \text{ mA}_{P-P}$$

$$I_{L(PEAK)} = 0.7 + 0.5 \times 0.465 = 933 \text{ mA}$$

In the case of a short at the switch node, the output, or from the CS pin to ground the short circuit current limit will engage

at a typical peak current of 1.5A. In order to prevent inductor saturation during these fault conditions the inductor's peak current rating must be above 1.5A. A 47  $\mu\text{H}$  off-the shelf inductor rated to 1.4A (peak) and 1.5A (average) with a DCR of 0.1 $\Omega$  will be used.

### USING AN OUTPUT CAPACITOR

This application does not require high frequency PWM dimming, allowing the use of an output capacitor to reduce the size and cost of the output inductor. To select the proper output capacitor the equation from Buck Regulators with Output Capacitors is re-arranged to yield the following:

$$Z_C = \frac{\Delta i_F}{\Delta i_L - \Delta i_F} \times r_D$$

The target tolerance for LED ripple current is 100 mA<sub>P-P</sub>, and a typical value for  $r_D$  of 1.8 $\Omega$  at 700 mA can be read from the LED datasheet. The required capacitor impedance to reduce the worst-case inductor ripple current of 333 mA<sub>P-P</sub> is therefore:

$$Z_C = [0.1 / (0.333 - 0.1)] \times 1.8 = 0.77\Omega$$

A ceramic capacitor will be used and the required capacitance is selected based on the impedance at 400 kHz:

$$C_O = 1 / (2 \times \pi \times 0.77 \times 4 \times 10^5) = 0.51 \mu\text{F}$$

This calculation assumes that impedance due to the equivalent series resistance (ESR) and equivalent series inductance (ESL) of  $C_O$  is negligible. The closest 10% tolerance capacitor value is 1.0  $\mu\text{F}$ . The capacitor used should be rated to 25V or more and have an X7R dielectric. Several manufacturers produce ceramic capacitors with these specifications in the 0805 case size. A typical value for ESR of 3 m $\Omega$  can be read from the curve of impedance vs. frequency in the product datasheet.

### R<sub>SNS</sub>

A preliminary value for  $R_{SNS}$  was determined in selecting  $\Delta i_L$ . This value should be re-evaluated based on the calculations for  $\Delta i_F$ :

$$R_{SNS} = \frac{0.2 \times L}{I_F \times L + V_O \times t_{SNS} - \frac{V_{IN} - V_O}{2} \times t_{ON}}$$

$$t_{SNS} = 220 \text{ ns}, R_{SNS} = 0.33\Omega$$

Sub-1 $\Omega$  resistors are available in both 1% and 5% tolerance. A 1%, 0.33 $\Omega$  device is the closest value, and a 0.33W, 1206 size device will handle the power dissipation of 162 mW. With the resistance selected, the average value of LED current is re-calculated to ensure that current is within the  $\pm 5\%$  tolerance requirement. From the expression for average LED current:

$$I_F = 0.2 / 0.33 - (7.1 \times 2.2 \times 10^{-7}) / 47 \times 10^{-6} + 0.266 / 2$$

$$= 706 \text{ mA}, 1\% \text{ above } 700 \text{ mA}$$

### INPUT CAPACITOR

Following the calculations from the Input Capacitor section,  $\Delta V_{IN(MAX)}$  will be  $24\text{V} \times 2\%_{P-P} = 480 \text{ mV}$ . The minimum required capacitance is:

$$C_{IN(MIN)} = (0.7 \times 7.4 \times 10^{-7}) / 0.48 = 1.1 \mu\text{F}$$

To provide additional safety margin the a higher value of 3.3  $\mu\text{F}$  ceramic capacitor rated to 50V with X7R dielectric in an 1210 case size will be used. From the Design Considerations section, input rms current is:

$$I_{IN-RMS} = 0.7 \times \text{Sqrt}(0.28 \times 0.72) = 314 \text{ mA}$$

Ripple current ratings for 1210 size ceramic capacitors are typically higher than 2A, more than enough for this design.

### RECIRCULATING DIODE

The input voltage of  $24\text{V} \pm 5\%$  requires Schottky diodes with a reverse voltage rating greater than 30V. The next highest standard voltage rating is 40V. Selecting a 40V rated diode provides a large safety margin for the ringing of the switch node and also makes cross-referencing of diodes from different vendors easier.

The next parameters to be determined are the forward current rating and case size. In this example the low duty cycle ( $D = 7.1 / 24 = 28\%$ ) places a greater thermal stress on D1 than on the internal power MOSFET of the LM3404. The estimated average diode current is:

$$I_D = 0.706 \times 0.72 = 509 \text{ mA}$$

A Schottky with a forward current rating of 1A would be adequate, however reducing the power dissipation is critical in this example. Higher current diodes have lower forward voltages, hence a 2A-rated diode will be used. To determine the proper case size, the dissipation and temperature rise in D1 can be calculated as shown in the Design Considerations section.  $V_D$  for a case size such as SMB in a 40V, 2A Schottky diode at 700 mA is approximately 0.3V and the  $\theta_{JA}$  is 75 $^\circ\text{C}/\text{W}$ . Power dissipation and temperature rise can be calculated as:

$$P_D = 0.509 \times 0.3 = 153 \text{ mW}$$

$$T_{RISE} = 0.153 \times 75 = 11.5^\circ\text{C}$$

### C<sub>B</sub> AND C<sub>F</sub>

The bootstrap capacitor  $C_B$  should always be a 10 nF ceramic capacitor with X7R dielectric. A 25V rating is appropriate for all application circuits. The linear regulator filter capacitor  $C_F$  should always be a 100 nF ceramic capacitor, also with X7R dielectric and a 25V rating.

### EFFICIENCY

To estimate the electrical efficiency of this example the power dissipation in each current carrying element can be calculated and summed. Electrical efficiency,  $\eta$ , should not be confused



with the optical efficacy of the circuit, which depends upon the LEDs themselves.

Total output power,  $P_O$ , is calculated as:

$$P_O = I_F \times V_O = 0.706 \times 7.1 = 5W$$

Conduction loss,  $P_C$ , in the internal MOSFET:

$$P_C = (I_F^2 \times R_{DS(ON)}) \times D = (0.706^2 \times 0.8) \times 0.28 = 112 \text{ mW}$$

Gate charging and VCC loss,  $P_G$ , in the gate drive and linear regulator:

$$P_G = (I_{IN-OP} + f_{SW} \times Q_G) \times V_{IN}$$

$$P_G = (600 \times 10^{-6} + 4 \times 10^5 \times 6 \times 10^{-9}) \times 24 = 72 \text{ mW}$$

Switching loss,  $P_S$ , in the internal MOSFET:

$$P_S = 0.5 \times V_{IN} \times I_F \times (t_R + t_F) \times f_{SW}$$

$$P_S = 0.5 \times 24 \times 0.706 \times 40 \times 10^{-9} \times 4 \times 10^5 = 136 \text{ mW}$$

AC rms current loss,  $P_{CIN}$ , in the input capacitor:

$$P_{CIN} = I_{IN(rms)}^2 \times ESR = 0.317^2 \times 0.003 = 0.3 \text{ mW (negligible)}$$

DCR loss,  $P_L$ , in the inductor

$$P_L = I_F^2 \times DCR = 0.706^2 \times 0.1 = 50 \text{ mW}$$

Recirculating diode loss,  $P_D = 153 \text{ mW}$

Current Sense Resistor Loss,  $P_{SNS} = 164 \text{ mW}$

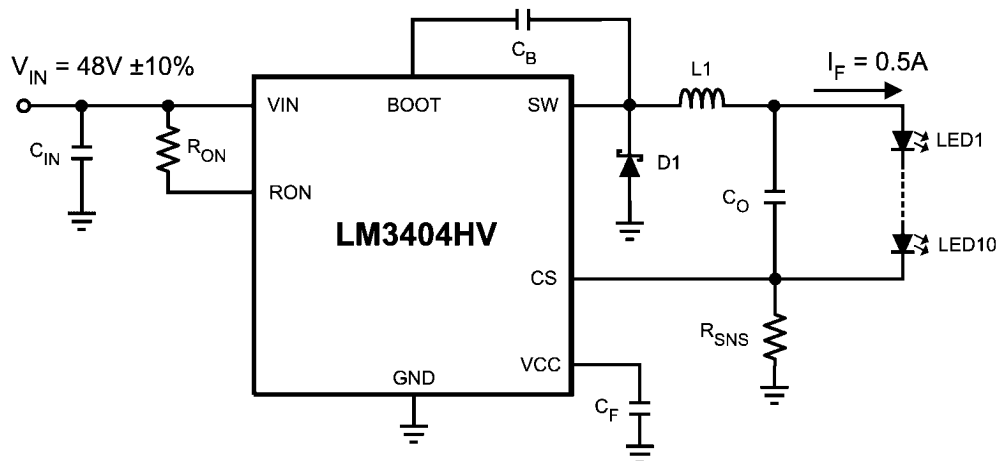
Electrical efficiency,  $\eta = P_O / (P_O + \text{Sum of all loss terms}) = 5 / (5 + 0.687) = 88\%$

Temperature Rise in the LM3404 IC is calculated as:

$$T_{LM3404} = (P_C + P_G + P_S) \times \theta_{JA} = (0.112 + 0.072 + 0.136) \times 155 = 49.2^\circ\text{C}$$

## Design Example 2: LM3404HV

The second example circuit will guide the user through component selection for an outdoor general lighting application. A regulated DC voltage input of  $48V \pm 10\%$  will power ten series-connected LEDs at  $500 \text{ mA} \pm 10\%$  with a ripple current of  $50 \text{ mA}_{P-P}$  or less. The typical forward voltage of the LED module in thermal steady state is  $35V$ , hence the average output voltage will be  $35.2V$ . A complete bill of materials can be found in *Table 2* at the end of this datasheet.



20205432

FIGURE 6. Schematic for Design Example 2

### $R_{ON}$ and $t_{ON}$

A low switching frequency,  $225 \text{ kHz}$ , is needed in this application, as high efficiency and low power dissipation take precedence over the solution size.  $R_{ON}$  is selected from the equation for switching frequency as follows:

$$R_{ON} = \frac{V_O}{1.34 \times 10^{-10} \times f_{SW}}$$

$$R_{ON} = 35.2 / (1.34 \times 10^{-10} \times 2.25 \times 10^5) = 1.16 \text{ M}\Omega$$

The next highest 1% tolerance resistor is  $1.18 \text{ M}\Omega$ . The switching frequency and on-time of the circuit can then be found using the equations relating  $R_{ON}$  and  $t_{ON}$  to  $f_{SW}$ :

$$f_{SW} = 35.2 / (1.18 \times 10^6 \times 1.34 \times 10^{-10}) = 223 \text{ kHz}$$

$$t_{ON} = (1.34 \times 10^{-10} \times 1.18 \times 10^6) / 48 = 3.3 \mu\text{s}$$

### OUTPUT INDUCTOR

Since an output capacitor will be used to filter some of the AC ripple current, the inductor ripple current can be set higher than the LED ripple current. A value of  $30\%_{P-P}$  makes a good trade-off between the current ripple and the size of the inductor:

$$\Delta i_L = 0.3 \times 0.5 = 0.15A$$

With the target ripple current determined the inductance can be chosen:

$$L_{\text{MIN}} = \frac{V_{\text{IN}} - V_{\text{O}}}{\Delta i_{\text{L}}} \times t_{\text{ON}}$$

$$L_{\text{MIN}} = [(48 - 35.2) \times 3.3 \times 10^{-6}] / (0.15) = 281 \mu\text{H}$$

The closest standard inductor value above 281 is 330  $\mu\text{H}$ . The average current rating should be greater than 0.5A to prevent overheating in the inductor. In this example the LM3404HV driver and the LED array share the same metal-core PCB, meaning that heat from the inductor could threaten the lifetime of the LEDs. For this reason the average current rating of the inductor used should have a de-rating of about 50%, or 1A. The inductance of the standard part chosen is  $\pm 20\%$ . With this tolerance the typical, minimum, and maximum inductor current ripples can be calculated:

$$\Delta i_{\text{L(TYP)}} = [(48 - 35.2) \times 3.3 \times 10^{-6}] / 330 \times 10^{-6} \\ = 128 \text{ mA}_{\text{P-P}}$$

$$\Delta i_{\text{L(MIN)}} = [(48 - 35.2) \times 3.3 \times 10^{-6}] / 396 \times 10^{-6} \\ = 107 \text{ mA}_{\text{P-P}}$$

$$\Delta i_{\text{L(MAX)}} = [(48 - 35.2) \times 3.3 \times 10^{-6}] / 264 \times 10^{-6} \\ = 160 \text{ mA}_{\text{P-P}}$$

The peak inductor current is then estimated:

$$I_{\text{L(PEAK)}} = I_{\text{L}} + 0.5 \times \Delta i_{\text{L(MAX)}}$$

$$I_{\text{L(PEAK)}} = 0.5 + 0.5 \times 0.16 = 0.58\text{A}$$

In the case of a short circuit across the LED array, the LM3404HV will continue to deliver rated current through the short but will reduce the output voltage to equal the CS pin voltage of 200 mV. The inductor ripple current and peak current in this condition would be equal to:

$$\Delta i_{\text{L(LED-SHORT)}} = [(48 - 0.2) \times 3.3 \times 10^{-6}] / 264 \times 10^{-6} \\ = 0.598\text{A}_{\text{P-P}}$$

$$I_{\text{L(PEAK)}} = 0.5 + 0.5 \times 0.598 = 0.8\text{A}$$

In the case of a short at the switch node, the output, or from the CS pin to ground the short circuit current limit will engage at a typical peak current of 1.5A. In order to prevent inductor saturation during these fault conditions the inductor's peak current rating must be above 1.5A. A 330  $\mu\text{H}$  off-the shelf inductor rated to 1.9A (peak) and 1.0A (average) with a DCR of 0.56 $\Omega$  will be used.

## USING AN OUTPUT CAPACITOR

This application uses sub-1 kHz frequency PWM dimming, allowing the use of a small output capacitor to reduce the size and cost of the output inductor. To select the proper output capacitor the equation from Buck Regulators with Output Capacitors is re-arranged to yield the following:

$$Z_{\text{C}} = \frac{\Delta i_{\text{F}}}{\Delta i_{\text{L}} - \Delta i_{\text{F}}} \times r_{\text{D}}$$

The target tolerance for LED ripple current is 50  $\text{mA}_{\text{P-P}}$ , and the typical value for  $r_{\text{D}}$  is 10 $\Omega$  with ten LEDs in series. The required capacitor impedance to reduce the worst-case steady-state inductor ripple current of 160  $\text{mA}_{\text{P-P}}$  is therefore:

$$Z_{\text{C}} = [0.05 / (0.16 - 0.05)] \times 10 = 4.5\Omega$$

A ceramic capacitor will be used and the required capacitance is selected based on the impedance at 223 kHz:

$$C_{\text{O}} = 1 / (2 \times \pi \times 4.5 \times 2.23 \times 10^5) = 0.16 \mu\text{F}$$

This calculation assumes that impedance due to the equivalent series resistance (ESR) and equivalent series inductance (ESL) of  $C_{\text{O}}$  is negligible. The closest 10% tolerance capacitor value is 0.15  $\mu\text{F}$ . The capacitor used should be rated to 50V or more and have an X7R dielectric. Several manufacturers produce ceramic capacitors with these specifications in the 0805 case size. ESR values are not typically provided for such low value capacitors, however it can be assumed to be under 100 m $\Omega$ , leaving plenty of margin to meet to LED ripple current requirement. The low capacitance required allows the use of a 100V rated, 1206-size capacitor. The rating of 100V ensures that the capacitance will not decrease significantly when the DC output voltage is applied across the capacitor.

## R<sub>SNS</sub>

A preliminary value for  $R_{\text{SNS}}$  was determined in selecting  $\Delta i_{\text{L}}$ . This value should be re-evaluated based on the calculations for  $\Delta i_{\text{F}}$ :

$$R_{\text{SNS}} = \frac{0.2 \times L}{I_{\text{F}} \times L + V_{\text{O}} \times t_{\text{SNS}} - \frac{V_{\text{IN}} - V_{\text{O}}}{2} \times t_{\text{ON}}}$$

$$t_{\text{SNS}} = 220 \text{ ns}, R_{\text{SNS}} = 0.43\Omega$$

Sub-1 $\Omega$  resistors are available in both 1% and 5% tolerance. A 1%, 0.43 $\Omega$  device is the closest value, and a 0.25W, 0805 size device will handle the power dissipation of 110 mW. With the resistance selected, the average value of LED current is re-calculated to ensure that current is within the  $\pm 10\%$  tolerance requirement. From the expression for average LED current:

$$I_{\text{F}} = 0.2 / 0.43 - (35.2 \times 2.2 \times 10^{-7}) / 330 \times 10^{-6} + 0.128 / 2 \\ = 505 \text{ mA}$$

## INPUT CAPACITOR

Following the calculations from the Input Capacitor section,  $\Delta V_{IN(MAX)}$  will be  $48V \times 2\%_{P-P} = 960 \text{ mV}$ . The minimum required capacitance is:

$$C_{IN(MIN)} = (0.5 \times 3.3 \times 10^{-6}) / 0.96 = 1.7 \mu\text{F}$$

To provide additional safety margin a  $2.2 \mu\text{F}$  ceramic capacitor rated to 100V with X7R dielectric in an 1812 case size will be used. From the Design Considerations section, input rms current is:

$$I_{IN-RMS} = 0.5 \times \text{Sqrt}(0.73 \times 0.27) = 222 \text{ mA}$$

Ripple current ratings for 1812 size ceramic capacitors are typically higher than 2A, more than enough for this design, and the ESR is approximately  $3 \text{ m}\Omega$ .

## RECIRCULATING DIODE

The input voltage of 48V requires Schottky diodes with a reverse voltage rating greater than 50V. The next highest standard voltage rating is 60V. Selecting a 60V rated diode provides a large safety margin for the ringing of the switch node and also makes cross-referencing of diodes from different vendors easier.

The next parameters to be determined are the forward current rating and case size. In this example the high duty cycle ( $D = 35.2 / 48 = 73\%$ ) places a greater thermal stress on the internal power MOSFET than on D1. The estimated average diode current is:

$$I_D = 0.5 \times 0.27 = 135 \text{ mA}$$

A Schottky with a forward current rating of 0.5A would be adequate, however reducing the power dissipation is critical in this example. Higher current diodes have lower forward voltages, hence a 1A-rated diode will be used. To determine the proper case size, the dissipation and temperature rise in D1 can be calculated as shown in the Design Considerations section.  $V_D$  for a case size such as SMA in a 60V, 1A Schottky diode at 0.5A is approximately 0.35V and the  $\theta_{JA}$  is  $75^\circ\text{C/W}$ . Power dissipation and temperature rise can be calculated as:

$$P_D = 0.135 \times 0.35 = 47 \text{ mW}$$

$$T_{RISE} = 0.047 \times 75 = 3.5^\circ\text{C}$$

## $C_B$ AND $C_F$

The bootstrap capacitor  $C_B$  should always be a 10 nF ceramic capacitor with X7R dielectric. A 25V rating is appropriate for all application circuits. The linear regulator filter capacitor  $C_F$  should always be a 100 nF ceramic capacitor, also with X7R dielectric and a 25V rating.

## EFFICIENCY

To estimate the electrical efficiency of this example the power dissipation in each current carrying element can be calculated and summed. Electrical efficiency,  $\eta$ , should not be confused with the optical efficacy of the circuit, which depends upon the LEDs themselves.

Total output power,  $P_O$ , is calculated as:

$$P_O = I_F \times V_O = 0.5 \times 35.2 = 17.6 \text{ W}$$

Conduction loss,  $P_C$ , in the internal MOSFET:

$$P_C = (I_F^2 \times R_{DS(ON)}) \times D = (0.5^2 \times 0.8) \times 0.73 = 146 \text{ mW}$$

Gate charging and VCC loss,  $P_G$ , in the gate drive and linear regulator:

$$P_G = (I_{IN-OP} + f_{SW} \times Q_G) \times V_{IN}$$

$$P_G = (600 \times 10^{-6} + 2.23 \times 10^5 \times 6 \times 10^{-9}) \times 48 = 94 \text{ mW}$$

Switching loss,  $P_S$ , in the internal MOSFET:

$$P_S = 0.5 \times V_{IN} \times I_F \times (t_R + t_F) \times f_{SW}$$

$$P_S = 0.5 \times 48 \times 0.5 \times 40 \times 10^{-9} \times 2.23 \times 10^5 = 107 \text{ mW}$$

AC rms current loss,  $P_{CIN}$ , in the input capacitor:

$$P_{CIN} = I_{IN(rms)}^2 \times \text{ESR} = 0.222^2 \times 0.003 = 0.1 \text{ mW (negligible)}$$

DCR loss,  $P_L$ , in the inductor

$$P_L = I_F^2 \times \text{DCR} = 0.5^2 \times 0.56 = 140 \text{ mW}$$

Recirculating diode loss,  $P_D = 47 \text{ mW}$

Current Sense Resistor Loss,  $P_{SNS} = 110 \text{ mW}$

Electrical efficiency,  $\eta = P_O / (P_O + \text{Sum of all loss terms}) = 17.6 / (17.6 + 0.644) = 96\%$

Temperature Rise in the LM3404HV IC is calculated as:

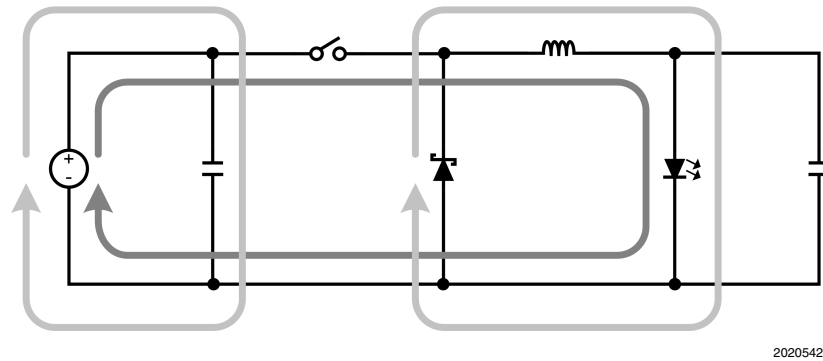
$$T_{LM3404} = (P_C + P_G + P_S) \times \theta_{JA} = (0.146 + 0.094 + 0.107) \times 155 = 54^\circ\text{C}$$

## Layout Considerations

The performance of any switching converter depends as much upon the layout of the PCB as the component selection. The following guidelines will help the user design a circuit with maximum rejection of outside EMI and minimum generation of unwanted EMI.

### COMPACT LAYOUT

Parasitic inductance can be reduced by keeping the power path components close together and keeping the area of the loops that high currents travel small. Short, thick traces or copper pours (shapes) are best. In particular, the switch node (where L1, D1, and the SW pin connect) should be just large enough to connect all three components without excessive heating from the current it carries. The LM3404/04HV operates in two distinct cycles whose high current paths are shown in *Figure 7*.



20205428

**FIGURE 7. Buck Converter Current Loops**

The dark grey, inner loop represents the high current path during the MOSFET on-time. The light grey, outer loop represents the high current path during the off-time.

#### GROUND PLANE AND SHAPE ROUTING

The diagram of *Figure 7* is also useful for analyzing the flow of continuous current vs. the flow of pulsating currents. The circuit paths with current flow during both the on-time and off-time are considered to be continuous current, while those that carry current during the on-time or off-time only are pulsating currents. Preference in routing should be given to the pulsating current paths, as these are the portions of the circuit most likely to emit EMI. The ground plane of a PCB is a conductor and return path, and it is susceptible to noise injection just as any other circuit path. The continuous current paths on the ground net can be routed on the system ground plane with less risk of injecting noise into other circuits. The path between the input source and the input capacitor and the path between the recirculating diode and the LEDs/current sense resistor are examples of continuous current paths. In contrast, the path between the recirculating diode and the input capacitor carries a large pulsating current. This path should be routed with a short, thick shape, preferably on the component side of the PCB. Multiple vias in parallel should be used right

at the pad of the input capacitor to connect the component side shapes to the ground plane. A second pulsating current loop that is often ignored is the gate drive loop formed by the SW and BOOT pins and capacitor  $C_B$ . To minimize this loop at the EMI it generates, keep  $C_B$  close to the SW and BOOT pins.

#### CURRENT SENSING

The CS pin is a high-impedance input, and the loop created by  $R_{SNS}$ ,  $R_Z$  (if used), the CS pin and ground should be made as small as possible to maximize noise rejection.  $R_{SNS}$  should therefore be placed as close as possible to the CS and GND pins of the IC.

#### REMOTE LED ARRAYS

In some applications the LED or LED array can be far away (several inches or more) from the LM3404/04HV, or on a separate PCB connected by a wiring harness. When an output capacitor is used and the LED array is large or separated from the rest of the converter, the output capacitor should be placed close to the LEDs to reduce the effects of parasitic inductance on the AC impedance of the capacitor. The current sense resistor should remain on the same PCB, close to the LM3404/04HV.

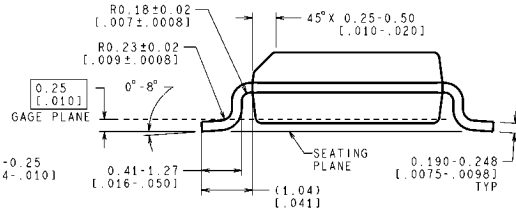
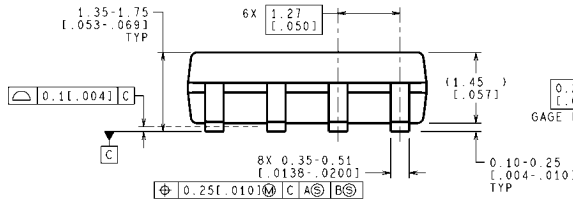
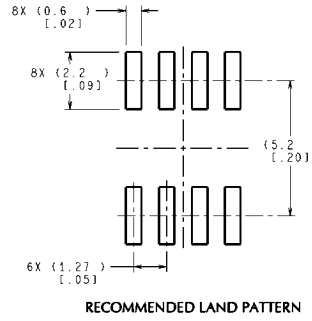
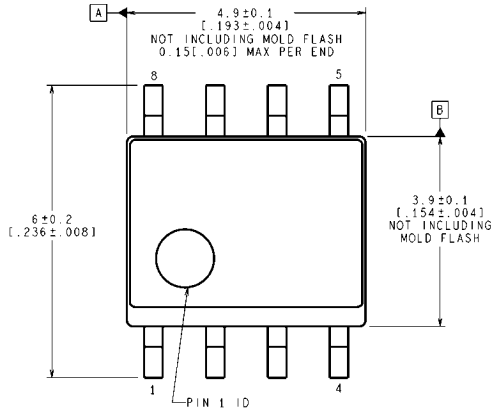
TABLE 1. BOM for Design Example 1

ID	Part Number	Type	Size	Parameters	Qty	Vendor
U1	LM3404	LED Driver	SO-8	42V, 1.2A	1	NSC
L1	SLF10145T-470M1R4	Inductor	10 x 10 x 4.5mm	47 $\mu$ H, 1.4A, 120 m $\Omega$	1	TDK
D1	CMSH2-40	Schottky Diode	SMB	40V, 2A	1	Central Semi
Cf	VJ0805Y104KXXAT	Capacitor	0805	100 nF 10%	1	Vishay
Cb	VJ0805Y103KXXAT	Capacitor	0805	10 nF 10%	1	Vishay
Cin	C3225X7R1H335M	Capacitor	1210	3.3 $\mu$ F, 50V	1	TDK
Co	C2012X7R1E105M	Capacitor	0805	1.0 $\mu$ F, 25V	1	TDK
Rsns	ERJ8BQFR33V	Resistor	1206	0.33 $\Omega$ 1%	1	Panasonic
Ron	CRCW08051333F	Resistor	0805	133 k $\Omega$ 1%	1	Vishay

TABLE 2. BOM for Design Example 2

ID	Part Number	Type	Size	Parameters	Qty	Vendor
U1	LM3404HV	LED Driver	SO-8	75V, 1.2A	1	NSC
L1	DO5022P-334	Inductor	18.5 x 15.4 x 7.1mm	330 $\mu$ H, 1.9A, 0.56 $\Omega$	1	Coilcraft
D1	CMSH1-60M	Schottky Diode	SMA	60V, 1A	1	Central Semi
Cf	VJ0805Y104KXXAT	Capacitor	0805	100 nF 10%	1	Vishay
Cb	VJ0805Y103KXXAT	Capacitor	0805	10 nF 10%	1	Vishay
Cin	C4532X7R2A225M	Capacitor	1812	2.2 $\mu$ F, 100V	1	TDK
Co	C3216X7R2A154M	Capacitor	1206	0.15 $\mu$ F, 100V	1	TDK
Rsns	ERJ6BQFR43V	Resistor	0805	0.43 $\Omega$ 1%	1	Panasonic
Ron	CRCW08051184F	Resistor	0805	1.18 M $\Omega$ 1%	1	Vishay

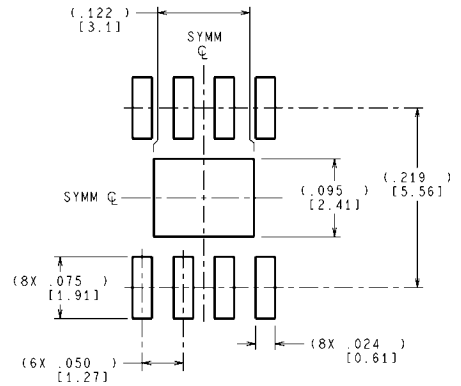
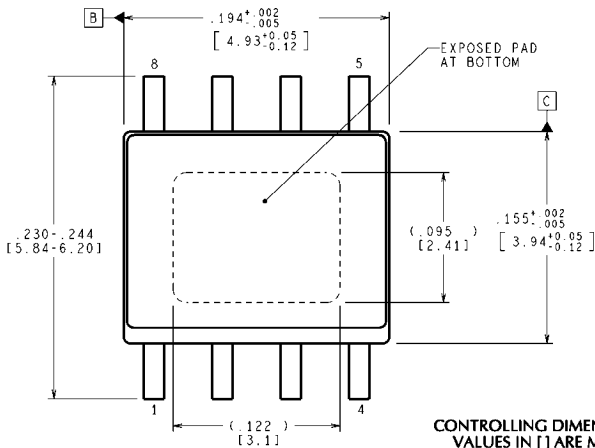
**Physical Dimensions** inches (millimeters) unless otherwise noted



CONTROLLING DIMENSION IS MILLIMETER  
VALUES IN [ ] ARE INCHES  
DIMENSIONS IN ( ) FOR REFERENCE ONLY

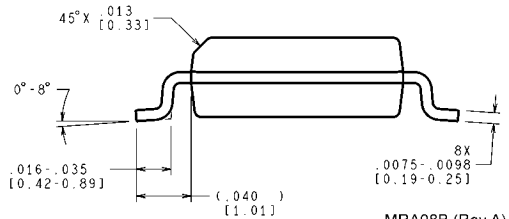
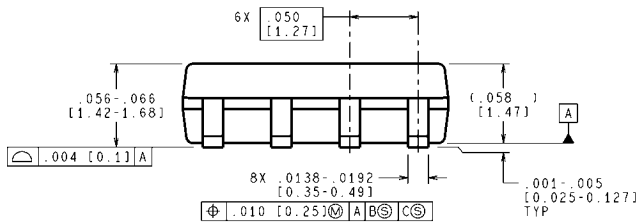
M08A (Rev L)

**SO-8 Package**  
**NS Package Number M08A**



CONTROLLING DIMENSION IS INCH  
VALUES IN [ ] ARE MILLIMETERS  
DIMENSIONS IN ( ) FOR REFERENCE ONLY

**RECOMMENDED LAND PATTERN**



**PSOP-8 Package**  
**NS Package Number MRA08B**

MRA08B (Rev A)

# Notes

## Notes

THE CONTENTS OF THIS DOCUMENT ARE PROVIDED IN CONNECTION WITH NATIONAL SEMICONDUCTOR CORPORATION ("NATIONAL") PRODUCTS. NATIONAL MAKES NO REPRESENTATIONS OR WARRANTIES WITH RESPECT TO THE ACCURACY OR COMPLETENESS OF THE CONTENTS OF THIS PUBLICATION AND RESERVES THE RIGHT TO MAKE CHANGES TO SPECIFICATIONS AND PRODUCT DESCRIPTIONS AT ANY TIME WITHOUT NOTICE. NO LICENSE, WHETHER EXPRESS, IMPLIED, ARISING BY ESTOPPEL OR OTHERWISE, TO ANY INTELLECTUAL PROPERTY RIGHTS IS GRANTED BY THIS DOCUMENT.

TESTING AND OTHER QUALITY CONTROLS ARE USED TO THE EXTENT NATIONAL DEEMS NECESSARY TO SUPPORT NATIONAL'S PRODUCT WARRANTY. EXCEPT WHERE MANDATED BY GOVERNMENT REQUIREMENTS, TESTING OF ALL PARAMETERS OF EACH PRODUCT IS NOT NECESSARILY PERFORMED. NATIONAL ASSUMES NO LIABILITY FOR APPLICATIONS ASSISTANCE OR BUYER PRODUCT DESIGN. BUYERS ARE RESPONSIBLE FOR THEIR PRODUCTS AND APPLICATIONS USING NATIONAL COMPONENTS. PRIOR TO USING OR DISTRIBUTING ANY PRODUCTS THAT INCLUDE NATIONAL COMPONENTS, BUYERS SHOULD PROVIDE ADEQUATE DESIGN, TESTING AND OPERATING SAFEGUARDS.

EXCEPT AS PROVIDED IN NATIONAL'S TERMS AND CONDITIONS OF SALE FOR SUCH PRODUCTS, NATIONAL ASSUMES NO LIABILITY WHATSOEVER, AND NATIONAL DISCLAIMS ANY EXPRESS OR IMPLIED WARRANTY RELATING TO THE SALE AND/OR USE OF NATIONAL PRODUCTS INCLUDING LIABILITY OR WARRANTIES RELATING TO FITNESS FOR A PARTICULAR PURPOSE, MERCHANTABILITY, OR INFRINGEMENT OF ANY PATENT, COPYRIGHT OR OTHER INTELLECTUAL PROPERTY RIGHT.

### LIFE SUPPORT POLICY

**NATIONAL'S PRODUCTS ARE NOT AUTHORIZED FOR USE AS CRITICAL COMPONENTS IN LIFE SUPPORT DEVICES OR SYSTEMS WITHOUT THE EXPRESS PRIOR WRITTEN APPROVAL OF THE CHIEF EXECUTIVE OFFICER AND GENERAL COUNSEL OF NATIONAL SEMICONDUCTOR CORPORATION.** As used herein:

Life support devices or systems are devices which (a) are intended for surgical implant into the body, or (b) support or sustain life and whose failure to perform when properly used in accordance with instructions for use provided in the labeling can be reasonably expected to result in a significant injury to the user. A critical component is any component in a life support device or system whose failure to perform can be reasonably expected to cause the failure of the life support device or system or to affect its safety or effectiveness.

National Semiconductor and the National Semiconductor logo are registered trademarks of National Semiconductor Corporation. All other brand or product names may be trademarks or registered trademarks of their respective holders.

Copyright© 2007 National Semiconductor Corporation

For the most current product information visit us at [www.national.com](http://www.national.com)



**National Semiconductor  
Americas Customer  
Support Center**  
Email:  
[new.feedback@nsc.com](mailto:new.feedback@nsc.com)  
Tel: 1-800-272-9959

**National Semiconductor Europe  
Customer Support Center**  
Fax: +49 (0) 180-530-85-86  
Email: [europe.support@nsc.com](mailto:europe.support@nsc.com)  
Deutsch Tel: +49 (0) 69 9508 6208  
English Tel: +49 (0) 870 24 0 2171  
Français Tel: +33 (0) 1 41 91 8790

**National Semiconductor Asia  
Pacific Customer Support Center**  
Email: [ap.support@nsc.com](mailto:ap.support@nsc.com)

**National Semiconductor Japan  
Customer Support Center**  
Fax: 81-3-5639-7507  
Email: [jpn.feedback@nsc.com](mailto:jpn.feedback@nsc.com)  
Tel: 81-3-5639-7560